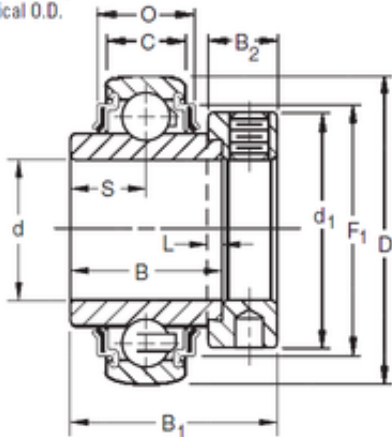




KRRB Two Seals  
Spherical O.D.



Bearing 2D drawings and 3D CAD models

PC360-7 excavator original parts main metal set  
6742-21-8200 made in China best quality

Bearing No.

|                                  |                    |
|----------------------------------|--------------------|
| Size                             | 57.15x110x61.91 mm |
| Bore Diameter                    | 57,15 mm           |
| Outer Diameter                   | 110 mm             |
| Width                            | 61,91 mm           |
| d                                | 57,15 mm           |
| D                                | 110 mm             |
| B                                | 61,91 mm           |
| C                                | 22 mm              |
| P                                | 26,01 mm           |
| O                                | 30,02 mm           |
| d1                               | 84,1 mm            |
| B1                               | 77,8 mm            |
| B2                               | 22,2 mm            |
| L                                | 6,4 mm             |
| S                                | 31 mm              |
| F1                               | 94,89 mm           |
| Weight                           | 1,715 Kg           |
| Basic dynamic load rating<br>(C) | 58,5 kN            |